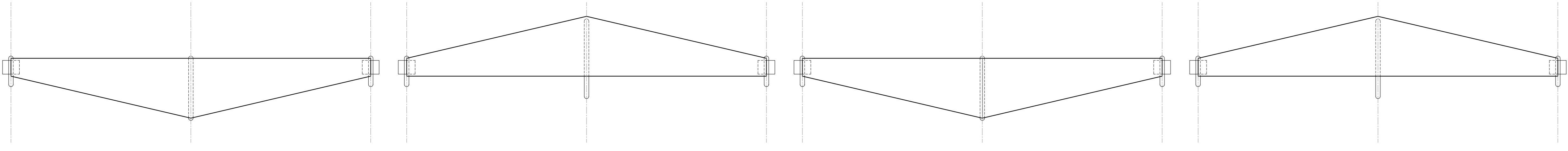


THIS DRAWING IS AN UNCONTROLLED COPY UNLESS STAMPED OTHERWISE

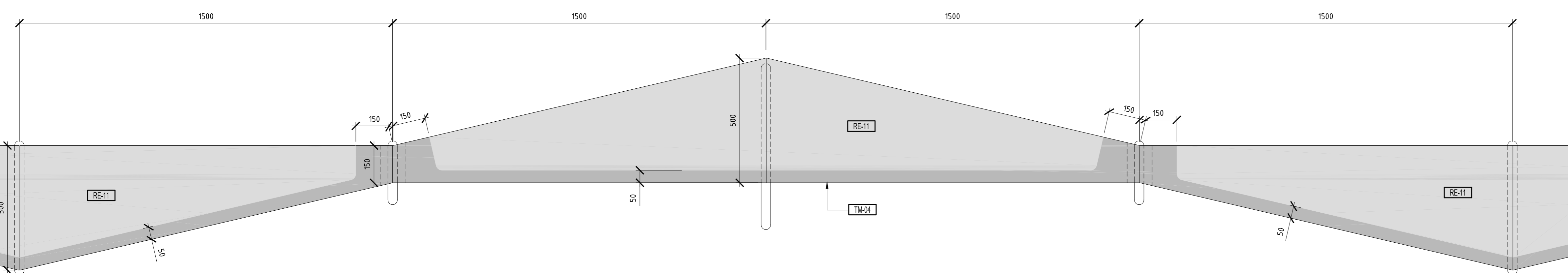
CONTRACTORS SHALL VERIFY JOB DIMENSIONS BEFORE ANY JOB COMMENCES. ALL SHOP DRAWINGS SHALL BE SUBMITTED TO THE SUPERINTENDENT AND MANUFACTURE SHALL NOT COMMENCE WORK TO THE RETURN OF DIMENSIONED SHOP DRAWINGS ISSUED BY THE CONSULTANT. FIGURED DIMENSIONS SHALL TAKE PRECEDENCE OVER SCALED. THIS DRAWING SHOULD BE READ IN CONJUNCTION WITH ALL RELEVANT CONTRACT SPECIFICATIONS AND DRAWINGS COPYRIGHT OF THIS DRAWING IS VESTED IN NADAAA

General Notes

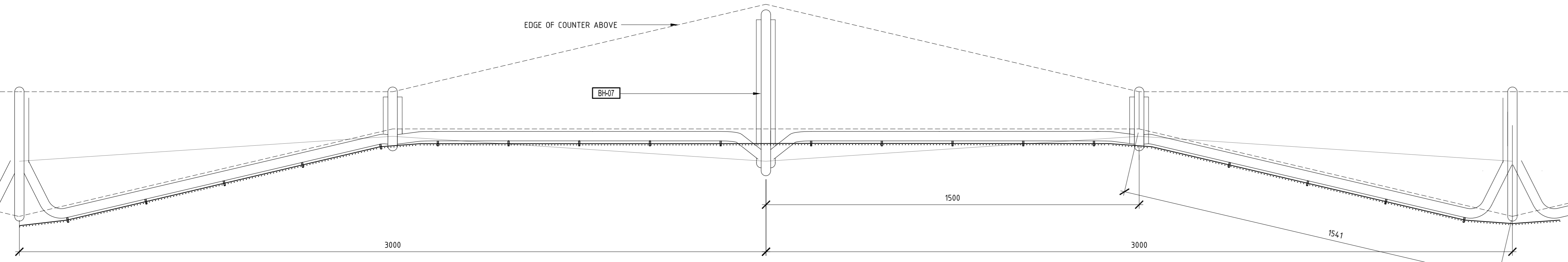
- 01. SEE MESH ENGINEER DRAWINGS FOR ALL SS MESH AND CABLE CONNECTION DETAILS, INCLUDING CLAMPS, BRACKETS, TURN BUCKLES STUDS CLEATS ANCHORS AND ENDSTOPS.
- 02. SEE STRUCTURAL FOR ALL CONNECTIONS TO CONCRETE POCKETS



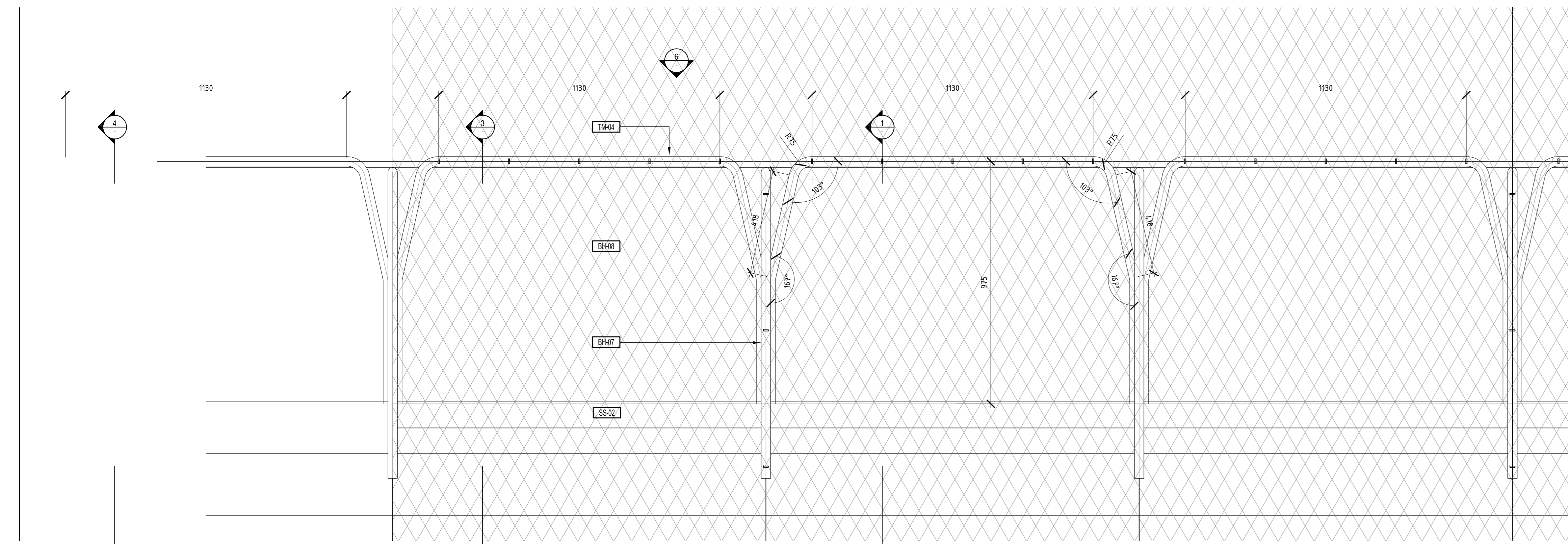
05 COUNTER SEGMENTS  
SCALE 1:10



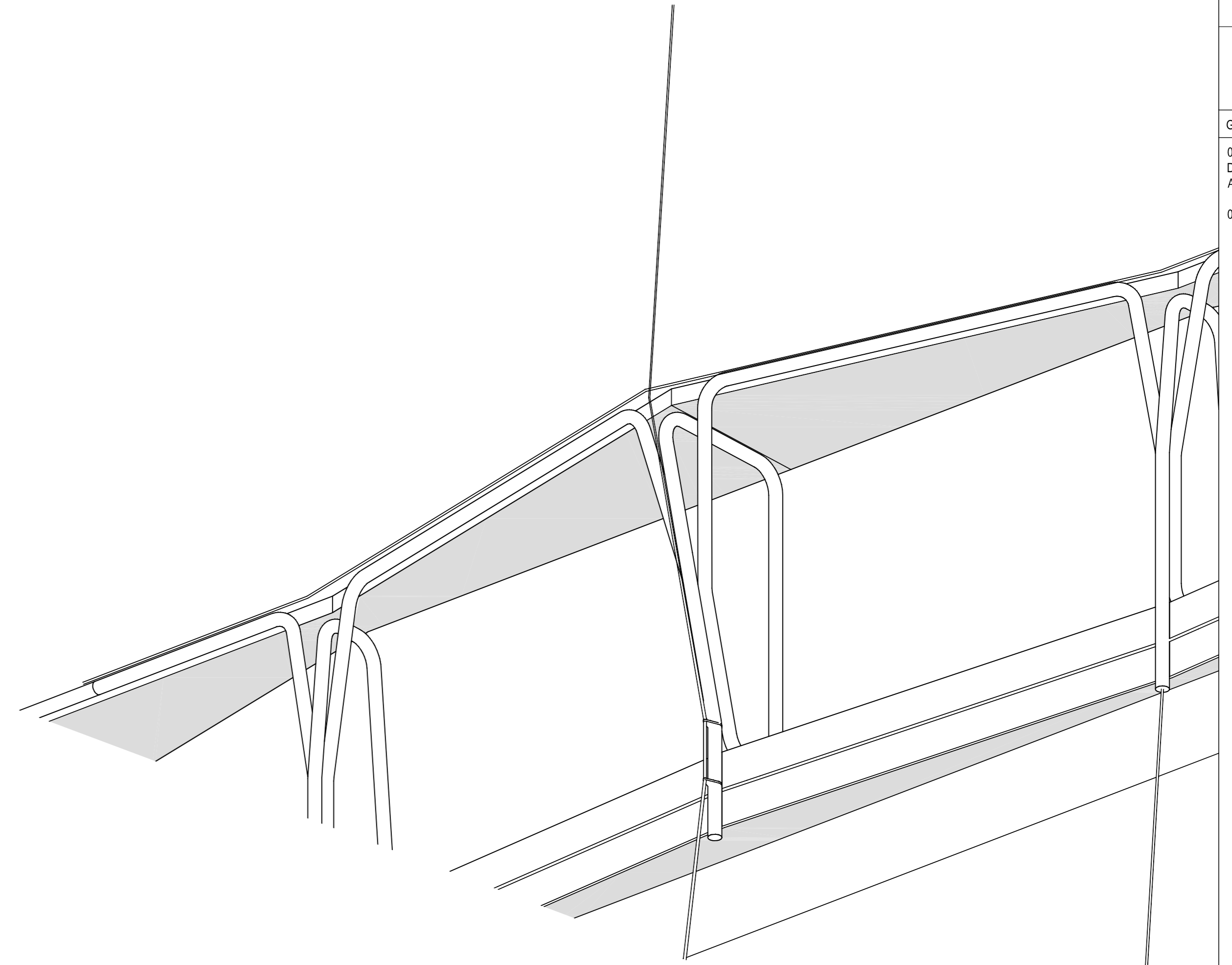
04 COUNTER @ L03 - PLAN  
SCALE 1:10



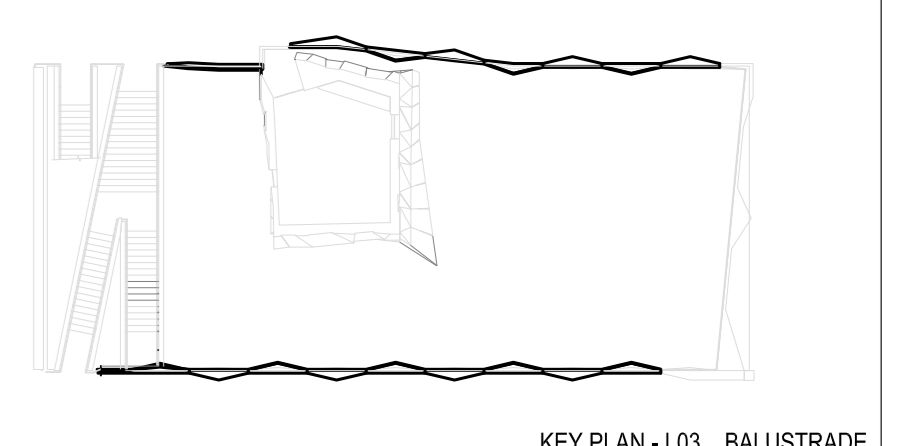
06 PIPE @ L03 - PLAN  
SCALE 1:10



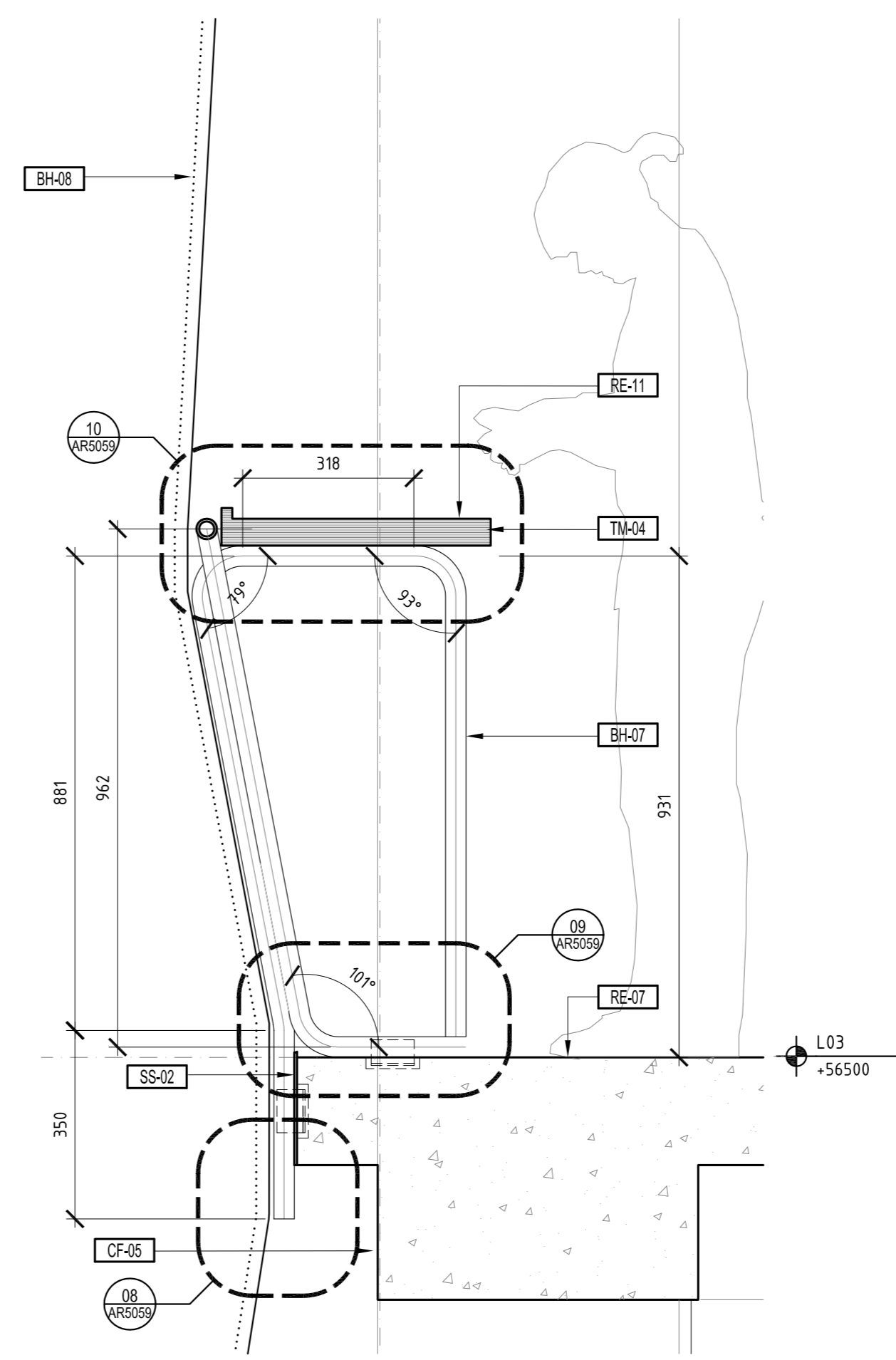
05 PIPE AND COUNTER @ L03 - ELEVATION  
SCALE 1:10



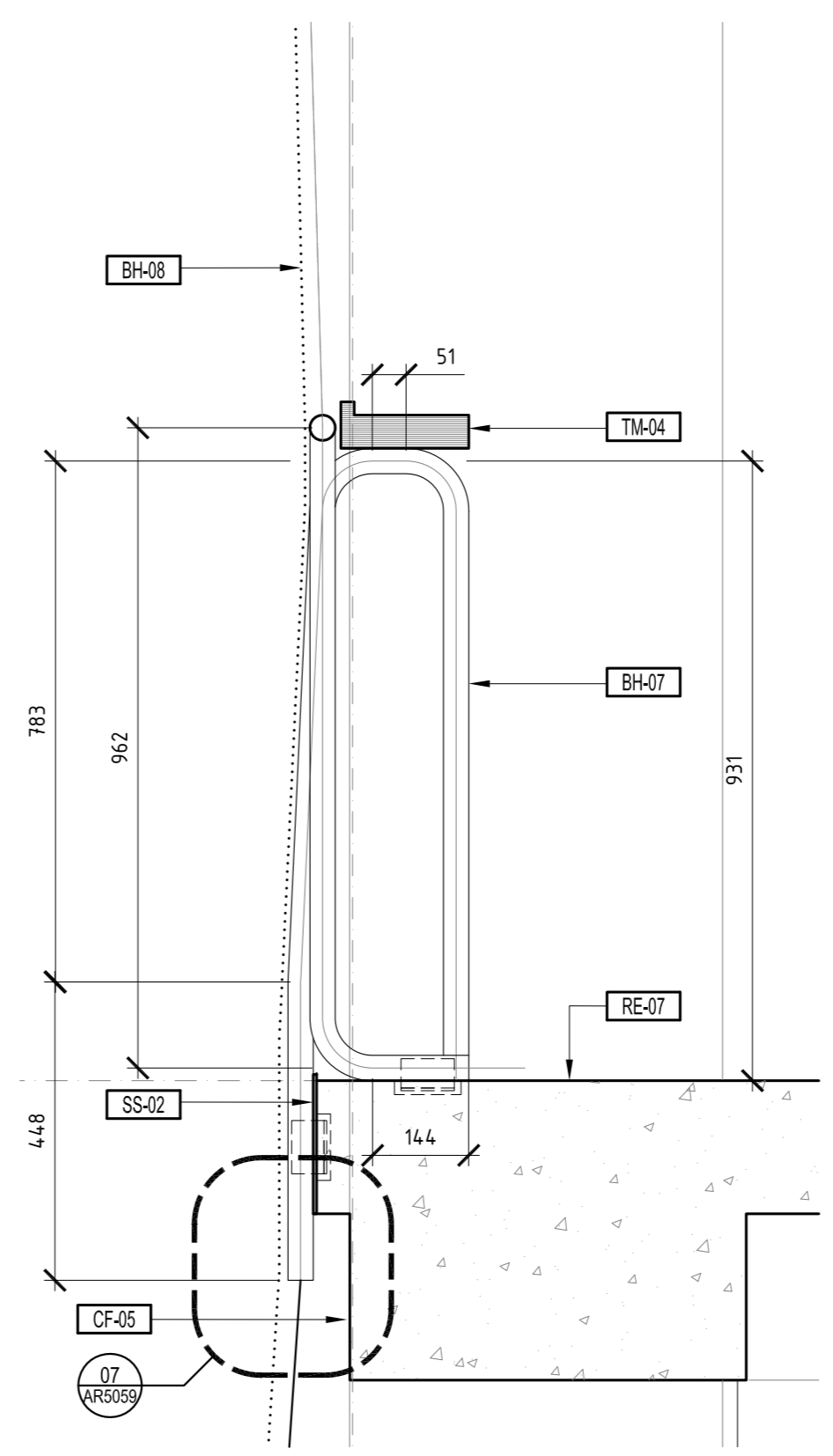
02 PIPING @ L03 AND L04 - AXON  
SCALE 1:10



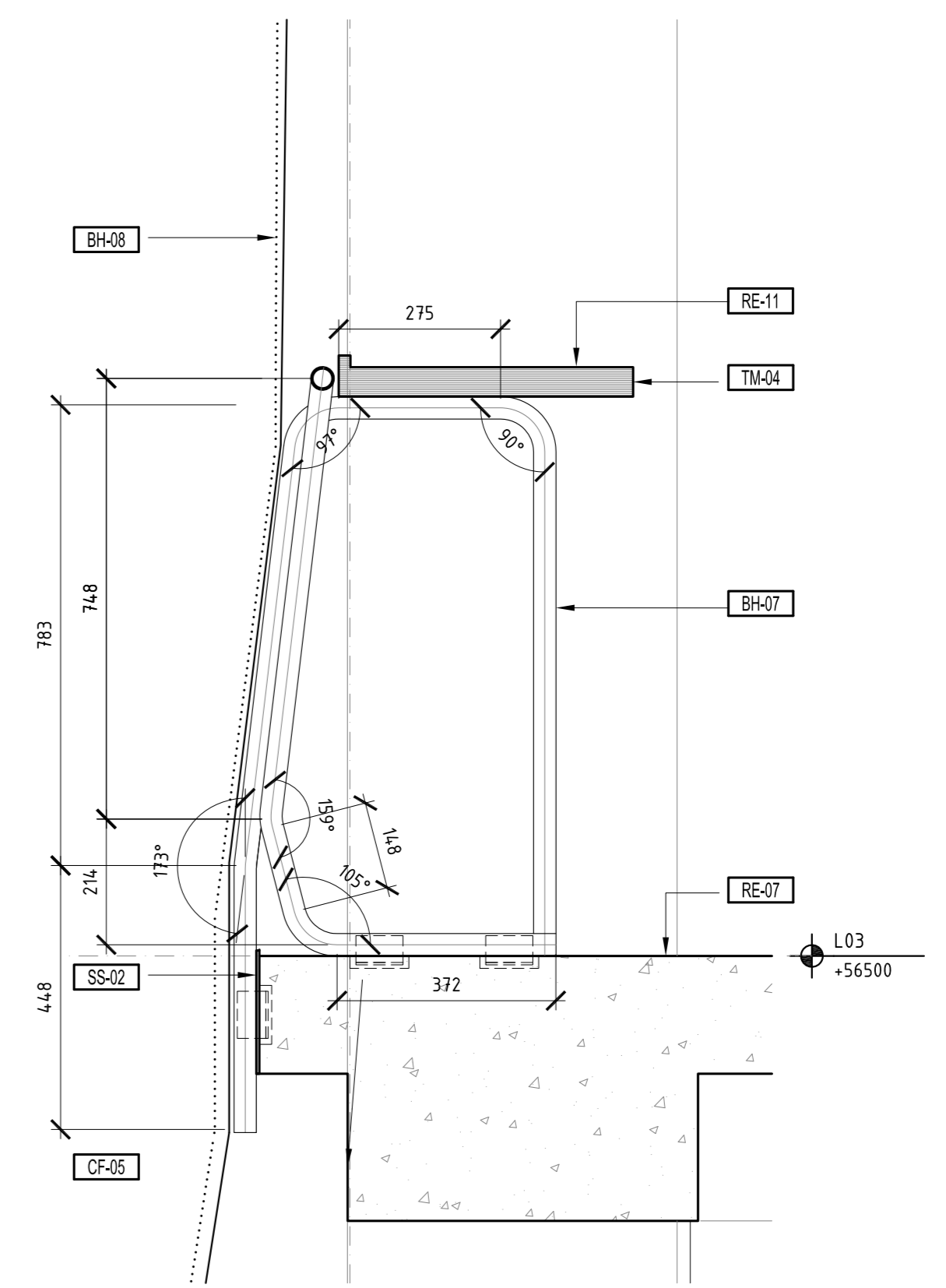
KEY PLAN - L03 - BALUSTRADE



04 PIPE AND COUNTER @ L03 TYPE C  
SCALE 1:10

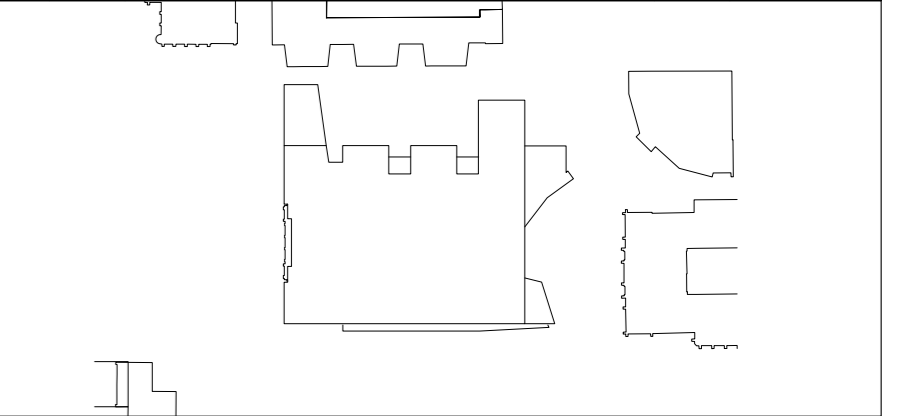


03 PIPE AND COUNTER @ L03 TYPE B  
SCALE 1:10



01 PIPE AND COUNTER @ L03 TYPE A  
SCALE 1:10

Rev	Issue	Revision Description	Amd	Date
A	SG	CONSTRUCTION ISSUE	-	03.01.14
04	JC	100% CD - TENDER ISSUE	-	07.08.12
03	JC	90% CD ISSUE	-	10.08.12
02	JC	75% CD ISSUE	-	13.07.12
01	JC	50% CD ISSUE	-	01.06.12



**NADAAA**

NADAAA  
1302 Washington Street No.2  
Boston Massachusetts 02118 USA  
Telephone +1 617 442 8232  
Facsimile +1 617 442 1417  
Email nad@nadaaa.com

**John Wardle Architects**

© 2011 John Wardle Architects  
Level 10, 180 Russell Street, Melbourne Victoria 3000 Australia  
Tel : +613 9654 8700 www.johnwardlearchitects.com

Client **University of Melbourne Parkville Campus**

Project **Faculty of Architecture Building and Planning**

Title **MESH BALUSTRADE LEVEL 03 TYPICAL**

Project No.	<b>0913</b>	Scale	1:100
Drawing No.	<b>AR5054</b>	Revision	<b>A</b>
Date	JAN 2014	Drawn	-
Co-Ord	-	Check	-

FILENAME: #####  
**FOR CONSTRUCTION**